

Description:

Rainwater filter for installation in rainwater tanks made of polyethylene or concrete. Two step cleaning system. The first coarse filter mesh protects the second, finer mesh by removing larger leaves and particles.

Coarse dirt is led over the first filter sieve to the sewer. Finer dirt particles are sorted out by the second filter sieve.

Retro-fitting with 3P Backwashing Device PF + SF is possible. Inside the filter housing an opening is installed which can be used. The 3P Zisternen Filter is ideally suited for use in combination with a 3P Overflow Siphon Duo and the 3P Calmed Inlet.

Connection capacity according to DIN 1986: for roof areas up to 213 m² at a rainfall intensity of 300l/(sxha)

All connections: DN 100

Height difference of 117 mm between rainwater inlet and wastewater outlet

Mesh size of filter cartridge: 0,7 x 1,7 mm

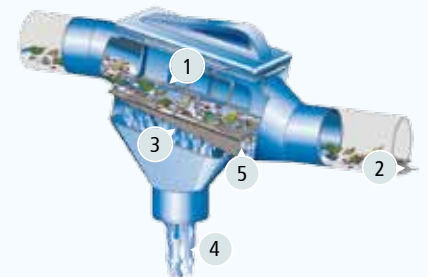
The cleaned water can be used in washing machines, toilet flushing and garden watering.

Low maintenance, depending on the contamination



How it works:

1. Rainwater is led onto the first filtration step
2. Coarse dirt particles are led away to the sewer
3. The pre-filtered rainwater, having passed the primary filter, reaches the second and finer filter, from here finer dirt passes to sewer, clean water to the tank
4. The cleaned rainwater is led through a calmed flow inlet into the rainwater tank
5. Due to the steep inclination of the fine filter and its smooth surface structure the dirt is quickly cleaned away into the sewer



Technical Data:

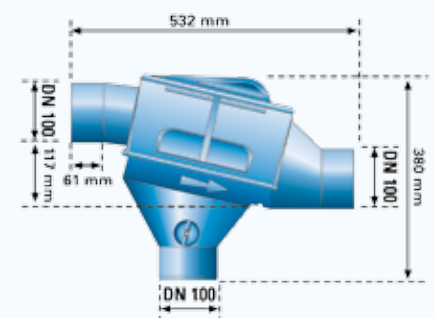
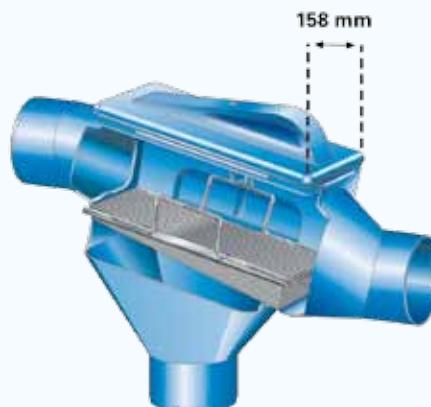
Filter according to DIN 1989-2, Typ C

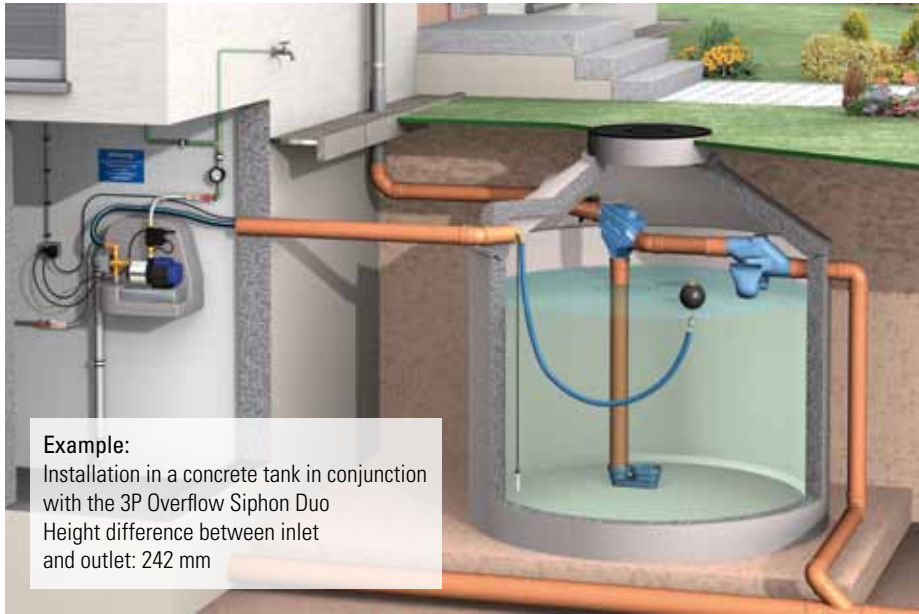
Inlet rainwater: DN 100
 Outlet to storage: DN 100
 Outlet to sewer: DN 100

Height difference between rainwater inlet and outlet: 117 mm

Housing material: Polyethylene
 Material filter insert: Stainless steel 1.4301

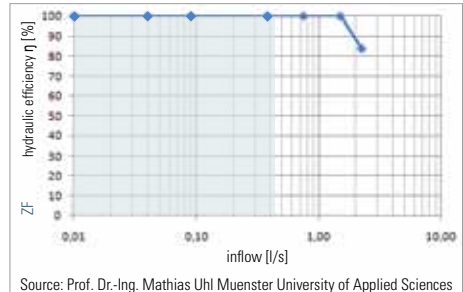
Weight: 1,7 kg





Example:

Installation in a concrete tank in conjunction with the 3P Overflow Siphon Duo
 Height difference between inlet and outlet: 242 mm



Source: Prof. Dr.-Ing. Mathias Uhl Muenster University of Applied Sciences

80% of the average intensity of rainfall in Germany is under 15 l/(sxha), resulting a volume flow rate of 0,32 l/s with a roof area of 213 m².

Diameter of tube	maximum flow rate	connectable area max. 200 l/(sxha)	connectable area max. 300 l/(sxha)
DN	l/s	m ²	m ²
100	6,4	320	213

Text for invitation of tenders:

Pos.	Quantity	Article	Price in €
1.1	_____	3P Zisternen Filter Rainwater filter for installation in rainwater tanks Inlet rainwater: DN 100, Outlet to sewer: DN 100, Outlet to storage: DN 100 Two step cleaning system Filter insert: made of stainless steel Mesh size 0,7 x 1,7 mm. Integrated back washing device possible Connection capacity according to DIN 1986: for roof areas up to 213 m ² at a rainfall intensity of 300 l/(sxha)	_____

Accessory 1:

3P Backwashing Device ZF Art.-Nr. 1000455 consisting of: 10 m of PE hole 16 mm with connection fittings and the 3P Backwashing Device, retro-installation possible

Accessory 2:

3P Automatic Backwashing Device Art.-Nr. 1000456 consisting of: 3P Backwashing Device, Profi Connection Set and Programmable Timing Device



Packing unit 3P Zisternen Filter:

m³-Carton: 18 pieces
 Pallet: 36 pieces